

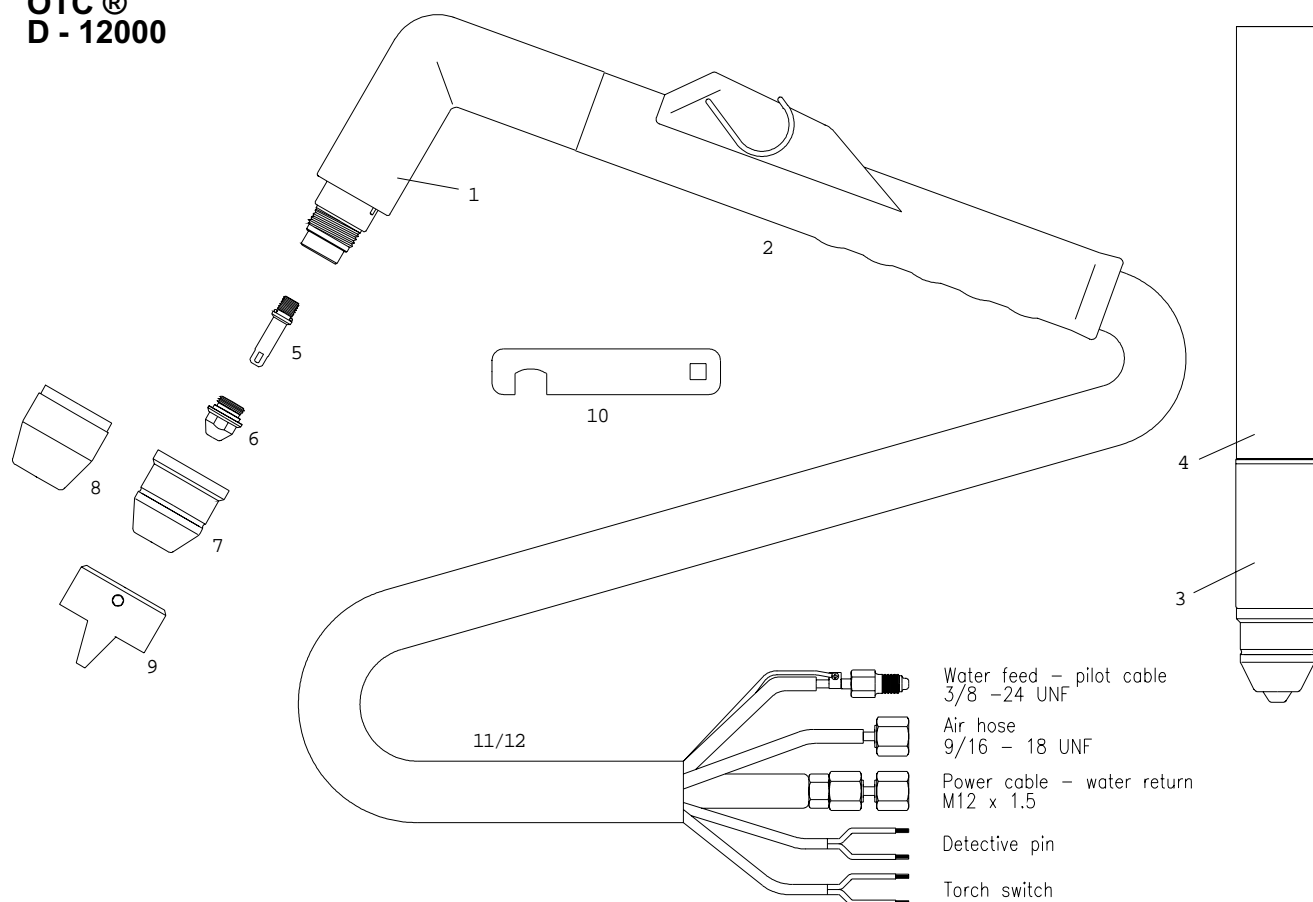


**Ersatzteile passend für:  
Replacement parts suitable for:**

PRL\_04/01

Seite / Page  
15

**OTC®  
D - 12000**

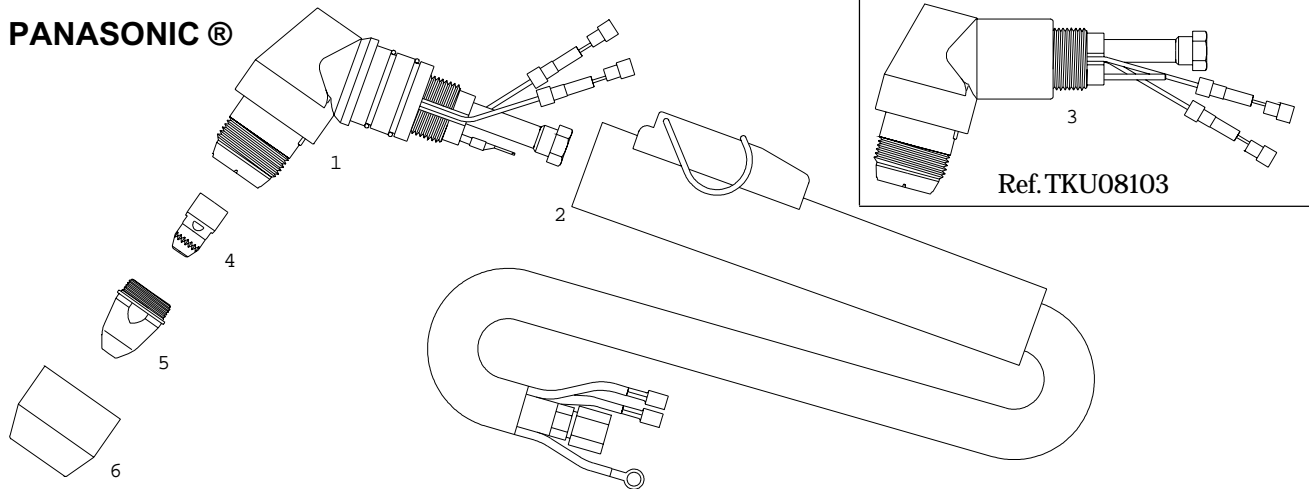


Pos.	Part No.	Ref. No.	Bezeichnung	Description
	448P902A06		Plasmabrenner D-12000, 6m EZ	Hand cutting torch D-12000, 6m SC
	448P902A12		Plasmabrenner D-12000, 12m EZ	Hand cutting torch D-12000, 6m SC
	448P902B06		Maschinenbrenner D-12000, 6m EZ	Machine cutting torch D-12000, 6m SC
	448P902B12		Maschinenbrenner D-12000, 12m EZ	Machine cutting torch D-12000, 12m SC
1	448P902010		Plasmabrennerkörper kpl. mit Griffrohr	Torch body cpl. with handle
2	380P200395		Handgriff kpl., mit Mikroschalter	Handle cpl., with micro switch
3	448P902015		Maschinenbrennerkörper	Machine torch body
4	441P884124		Automaten Griffrohr	Handle tube
5	441P902021 H839M00		Elektrode, HD - HF, (Teflonisiert)	Electrode, HF - long life (teflon wrapped)
6	448P902040 H839K03		Plasmaduese, (30 AMP) 0.8mm	Plasma tip, (30 AMP) 0.8mm
6	448P902041 H839K02		Plasmaduese, (50 AMP) 1.0mm	Plasma tip, (50 AMP) 1.0mm
6	448P902042 H839K01		Plasmaduese, (80 AMP) 1.3mm	Plasma tip, (80 AMP) 1.3mm
6	448P902043 H839G03		Plasmaduese, (120 AMP) 1.6mm	Plasma tip, (120 AMP) 1.6mm
7	448P902044		Keramische Schutzkappe	Ceramic shield cup
7	448P902048		Teflon Schutzkappe	Teflon nozzle retaining cap
8	448P902045 H839G02		Schutzkappe (für Original Brennerkopf)	Shield cup (for genuine torch head only)
9	448P902046		Kronenschutzkappe	Double pointed spacer
10	448P902047		Schlüssel fuer Duese und Elektrode	Key for tip and electrode
11	448P902006		Schlauchpaket 6m für Handbrenner	Cpl. Cable assy 6m for hand torch
11	448P90200C		Schlauchpaket 12m für Handbrenner	Cpl. Cable assy 12m for hand torch
12	448P902A06		Schlauchpaket 6m für Automatenbr.	Cpl. Cable assy 6m for machine torch
12	448P902A0C		Schlauchpaket 12m für Automatenbr.	Cpl. Cable assy 12m for machine torch

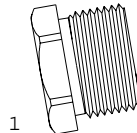
TBi is in no way affiliated with OTC®-MILLER®-P-TRON®. The parts advertised for sale are not genuine OTC®-MILLER®-P-TRON® parts, but are parts made for and by TBi. Reference to OTC®-MILLER®-P-TRON® machine, torches and numbers are for your convenience only. We reserve the right to substitute genuine OTC®-MILLER®-P-TRON® parts in place of TBi parts.



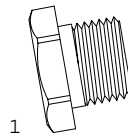
PANASONIC®



Pos.	Part No.	Ref. No.	Bezeichnung	Description
	441P936016		Plasmabrenner Panasonic, 6m, 9/16"	Hand torch Panasonic, 6m, 9/16"
	441P9360Z6		Plasmabrenner Panasonic, 6m, ZA	Hand torch Panasonic, 6m, CA
	441P93601C		Plasmabrenner Panasonic, 12m, 9/16"	Hand torch Panasonic, 12m, 9/16"
	441P9360ZC		Plasmabrenner Panasonic, 12m ZA	Hand torch Panasonic, 12m CA
1	441P936001		Plasmabrennerkörper	Torch body
2	380P200396 D=28MM		Handgriff mit Schalter	Handle cpl. with switch
3	441P936005 TKU08103		Plasmabrennerkörper für Original Griff	Torch body for original handle
4	441P936010 TET02033		Elektrode, HD - HF	Electrode, HF, long life
5	441P936011		Plasmaduese 1.0mm	Plasma tip 1.0mm
5	441P936013 TET01305		Plasmaduese 1.3mm	Plasma tip 1.3mm
5	441P936015 TET01507		Plasmaduese 1.5mm	Plasma tip 1.5mm
6	441P936020 TGN02004		Schutzkappe	Shield cup

SAF® P 30 D  
FRO®

Pos.	Part No.	Ref. No.	Bezeichnung	Description
1	441P848070	2593861	Plasmaduese 1.5MM	Plasma tip 1.5MM
1	441P848071	2593853	Plasmaduese 1.8MM	Plasma tip 1.8MM
1	441P848072	2593846	Plasmaduese 2.0MM	Plasma tip 2.0MM
1	441P848073	2593838	Plasmaduese 2.5MM	Plasma tip 2.5MM
1	441P848074	2593820	Plasmaduese 3.0MM	Plasma tip 3.0MM

SAF® CP 200  
FRO®

Pos.	Part No.	Ref. No.	Bezeichnung	Description
1	441P848080	2596252	Plasmaduese 1.5MM	Plasma tip 1.5MM
1	441P848081	2596260	Plasmaduese 1.8MM	Plasma tip 1.8MM
1	441P848082	2596278	Plasmaduese 2.0MM	Plasma tip 2.0MM
1	441P848083	2596286	Plasmaduese 2.5MM	Plasma tip 2.5MM
1	441P848084		Plasmaduese 3.0MM	Plasma tip 3.0MM

TBi is in no way affiliated with PANASONIC® SAF® FRO®. The parts advertised for sale are not genuine PANASONIC® SAF® FRO® parts, but are parts made for and by TBi. Reference to PANASONIC® SAF® FRO® machine, torches and numbers are for your convenience only. We reserve the right to substitute genuine PANASONIC® SAF® FRO® parts in place of TBi parts.