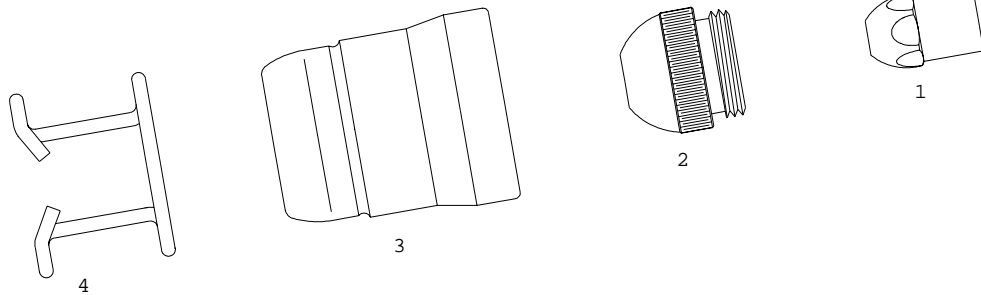


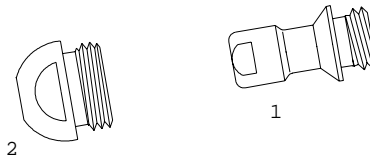


W.T.C.®



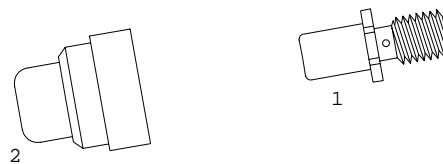
Pos.	Part No.	Ref. No.	Bezeichnung	Description
1	441P959001	0189-H	Elektrode HF	Electrode HF
2	441P959002	0702	Plasmaduese 1.0mm	Plasma tip 1.0mm
2	441P959003	0703	Plasmaduese 1.2mm	Plasma tip 1.2mm
2	441P959004	0704	Plasmaduese 1.4mm	Plasma tip 1.4mm
2	441P959005	0705	Plasmaduese 1.7mm	Plasma tip 1.7mm
2	441P959006	0764	Plasmaduese 2.0mm	Plasma tip 2.0mm
3	441P959007	0413	Schutzkappe, HD	Shield cup, long life
4	443P020047	0618	Abstandsfeder	Spacer spring

SMITH® - MERKLE®



Pos.	Part No.	Ref. No.	Bezeichnung	Description
1	441P871001	30808-5	Elektrode HF	Electrode HF
2	441P871002	30812-5	Plasmaduese 1.0mm	Plasma tip 1.0mm
2	441P871003	30813-5	Plasmaduese 1.2mm	Plasma tip 1.2mm
2	441P871004	30814-5	Plasmaduese 1.4mm	Plasma tip 1.4mm
2	441P871005	30815-5	Plasmaduese 1.6mm	Plasma tip 1.6mm
2	441P871006	30344-5	Plasmaduese 1.8mm	Plasma tip 1.8mm

REHM®



Pos.	Part No.	Ref. No.	Bezeichnung	Description
1	441P956001	4262.000	Elektrode ZR	Electrode ZR
2	441P956002	4260.030	Plasmaduese 1.0mm	Plasma tip 1.0mm

TBi is in no way affiliated with W.T.C.® SMITH® MERKLE® REHM®. The parts advertised for sale are not genuine W.T.C.® SMITH® MERKLE® REHM® parts, but are parts made for and by TBi. Reference to W.T.C.® SMITH® MERKLE® REHM® machine, torches and numbers are for your convenience only. We reserve the right to substitute genuine W.T.C.® SMITH® MERKLE® REHM® parts in place of TBi parts.

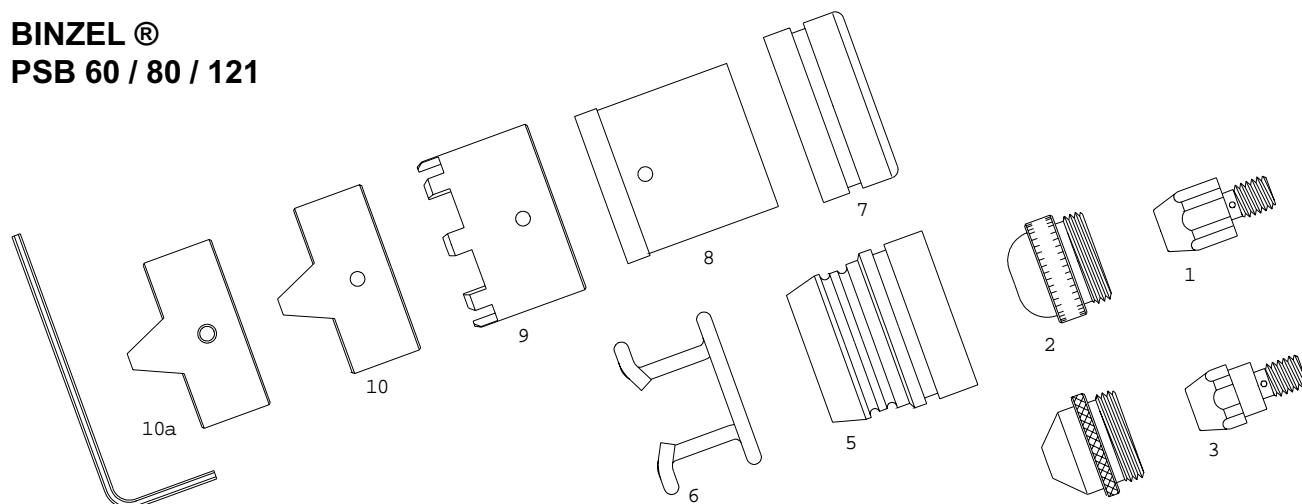


**Ersatzteile passend für:
Replacement parts suitable for:**

PRL_04/01

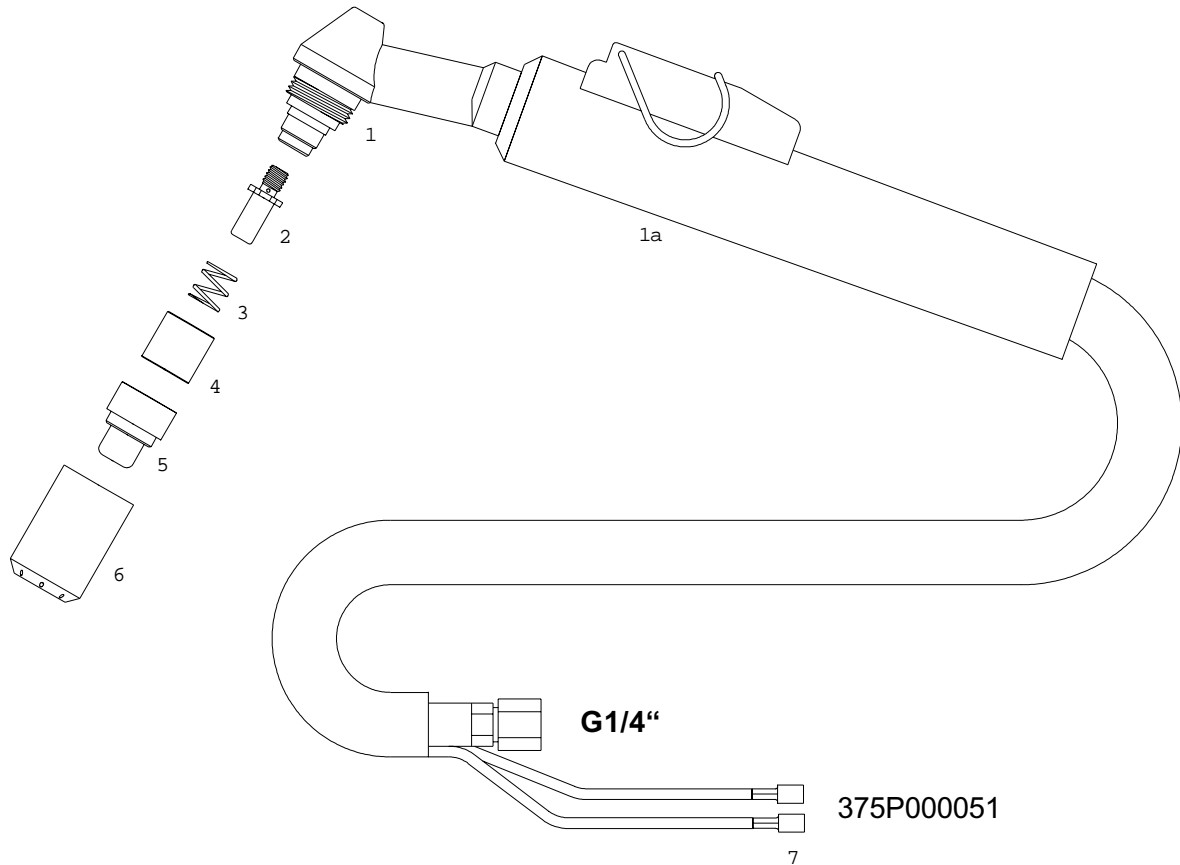
Seite / Page
21

**BINZEL®
PSB 60 / 80 / 121**



Pos.	Part No.	Ref. No.	Bezeichnung	Description
1	443P014014	743.0077	Elektrode, ZR, L=12.0mm	Electrode, ZR, L=12.0mm
1	443P014002	743.0067	Elektrode, HF, L=12.0mm	Electrode, HF, L=12.0mm
2	443P020006	743.0122	Plasmaduese 1.0mm	Plasma tip 1.0mm
2	443P020036	743.0142	Plasmaduese 1.3mm	Plasma tip 1.3mm
2	443P020016	743.0132	Plasmaduese 1.5mm	Plasma tip 1.5mm
2	443P020116	743.0209	Plasmaduese 1.8mm	Plasma tip 1.8mm
2	443P020140	743.0355	Plasmaduese 2.0mm	Plasma tip 2.0mm
3	443P910425	743.0425	Elektrode, ZR, L=12.0mm	Electrode, ZR, L=12.0mm
3	443P910426	743.0441	Elektrode, HF, L=12.0mm	Electrode, HF, L=12.0mm
4	443P020106	743.0202	Plasmaduese 1.0mm, 30°	Plasma tip 1.0mm, 30°
4	443P020107	743.0203	Plasmaduese 1.5mm, 30°	Plasma tip 1.5mm, 30°
4	443P020111	743.0261	Plasmaduese 1.3mm, 30°	Plasma tip 1.3mm, 30°
4	443P020112	743.0262	Plasmaduese 1.8mm, 30°	Plasma tip 1.8mm, 30°
5	443P020015	743.0131	Federtraeger	Spring support
6	443P020047	743.0149	Abstandsfeder	Spacer spring
7	443P020009	743.0125	Abstandshuese	Distance sleeve
8	443P020010	743.0126	Abstandsduesentraeger	Distance nozzle support
9	443P020011	743.0127	Abstandsduese 8-Fuesse	Crown spacer nozzle
10	443P020068	743.0168	Eckduese	Double pointed nozzle
10a	443P000267	743.0267	Eckduese fuer Federtraeger	Double pointed nozzle with screws
o.Abb	443P000407	743.0407	Sicherungsklemme „ORIGINAL“	Safety clamp,“ORIGINAL“
o.Abb	443P020064	743.0064	Elektrodenschlüssel	Wrench for electrode

TBi is in no way affiliated with BINZEL®. The parts advertised for sale are not genuine BINZEL® parts, but are parts made for and by TBi. Reference to BINZEL® machine, torches and numbers are for your convenience only. We reserve the right to substitute genuine BINZEL® parts in place of TBi parts.


BINZEL®
PSB 30


Pos.	Part No.	Ref. No.	Bezeichnung	Description
	444P100104		Plasmabrenner P 30, 4m (G1/4")	Hand cutting torch P 30, 4m (G1/4")
	444P100106		Plasmabrenner P 30, 6m (G1/4")	Hand cutting torch P 30, 6m (G1/4")
1	444P010001	744.0098	Plasmabrennerkörper, P 30	Torch body, P 30
1a	380P200397		Griffrohr kpl., 2-pol mit Mikroschalter	Handle tube cpl., with micro switch
2	444P010010	744.0012	Elektrode, ZR, (L=15.5)	Electrode, ZR, (L=15.5)
2	444P010011	744.0013	Elektrode, ZR, (L=15.0)	Electrode, ZR, (L=15.0)
2	444P010012	744.0014	Elektrode, ZR, (L=14.5)	Electrode, ZR, (L=14.5)
3	444P020007	744.0024	Feder	Spring
4	444P020006	744.0023	Federhuelse	Spring sleeve
4	444P020027	744.0076	Isolierhuelse HF-Version	Insulating sleeve for HF-Version
5	444P020003	744.0010	Plasmaduese 1.0mm	Plasma tip 1.0mm
5	444P020020	744.0061	Plasmaduese 1.2mm	Plasma tip 1.2mm
6	444P020004	744.0011	Schutzkappe	Air diffuser, insulator
7	375P000051		Kabelschuh, flach	Cable lug

TBi is in no way affiliated with BINZEL®. The parts advertised for sale are not genuine BINZEL® parts, but are parts made for and by TBi. Reference to BINZEL® machine & torches and numbers are for your convenience only. We reserve the right to substitute genuine BINZEL® parts in place of TBi parts.

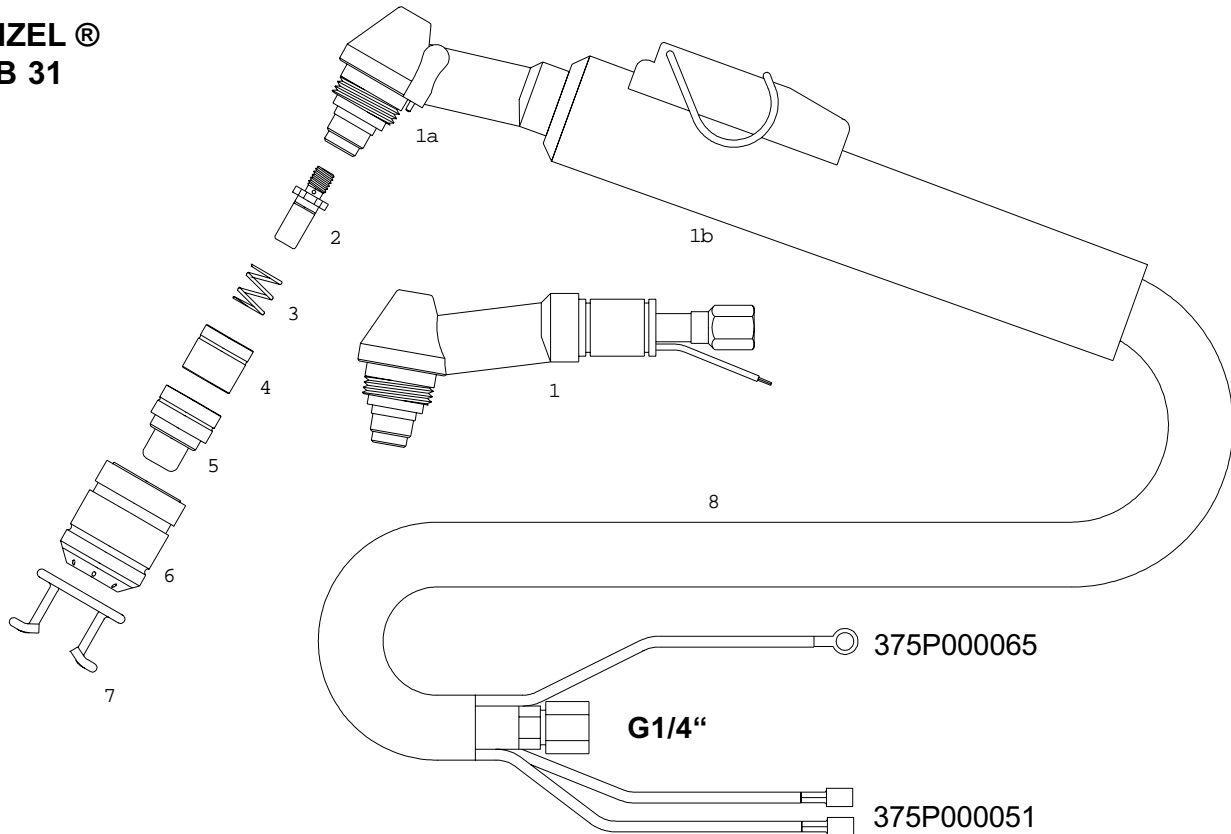


**Ersatzteile passend für:
Replacement parts suitable for:**

PRL_04/01

Seite / Page
23

**BINZEL®
PSB 31**



Pos.	Part No.	Ref. No.	Bezeichnung	Description
	442P100104		Plasmabrenner 32S, 4m (G1/4")	Hand cutting torch 32S, 4m (G1/4")
	442P100106		Plasmabrenner 32S, 6m (G1/4")	Hand cutting torch 32S, 6m (G1/4")
	442P100110		Plasmabrenner 32S, 10m (G1/4")	Hand cutting torch 32S, 10m (G1/4")
	442P100304		Plasmabrenner 32S, HF, 4m (G1/4")	Hand cutting torch 32S, HF, 4m (G1/4")
	442P100306		Plasmabrenner 32S, HF, 6m (G1/4")	Hand cutting torch 32S, HF, 6m (G1/4")
1	442P010001	742.0001	Brennerkörper 32/32KK	Torch body 32/32KK
1a	442P010100	742.0054	Brennerkörper 32 mit Si.-/Kontakt	Torch body 32 with safety
1b	402P001002		Griffschale ohne Schalter	Handle w/o switch
1c	385P133009		Schalter	Switch
1d	442P020100		Distanzbuchse 32, fuer Griff	Distance sleeve 32, for black handle
2	442P010008	742.0016	Elektrode, ZR, (L=15.5)	Electrode, ZR, (L=15.5)
2	442P010009	742.0017	Elektrode, ZR, (L=16.0)	Electrode, ZR, (L=16.0)
2	442P010010	742.0018	Elektrode, ZR, (L=16.5)	Electrode, ZR, (L=16.5)
3	444P020007	744.0024	Feder	Spring
4	442P000038	742.0038	Isolierhuelse, HF-Version	Insulating sleeve for HF-Version
4	442P020010	742.0025	Federhuelse	Spring sleeve
5	442P020005	742.0011	Plasmaduese 1.0mm	Plasma tip 1.0mm
5	442P020011	742.0026	Plasmaduese 1.2mm	Plasma tip 1.2mm
6	442P010004	742.0004	Schutzkappe	Air diffuser, insulator
6	442P010101		Schutzkappe (mit Kontaktring)	Air diffuser, insulator (with contact ring)
7	441P002203		Abstandsfeder	Spacer spring
8	442P100904		Schlauchpaket 4m, 32S, (G 1/4")	Cable assy 4m, 32S, (G 1/4")
8	442P100906		Schlauchpaket 6m, 32S, (G 1/4")	Cable assy 6m, 32S, (G 1/4")
9	375P000051		Kabelschuh, flach	Cable lug
10	375P000065		Kabelschuh, M6 isoliert	Cable lug, M6, insulated

TBI is in no way affiliated with BINZEL®. The parts advertised for sale are not genuine BINZEL® parts, but are parts made for and by TBI. Reference to BINZEL® machine, torches and numbers are for your convenience only. We reserve the right to substitute genuine BINZEL® parts in place of TBI parts.