

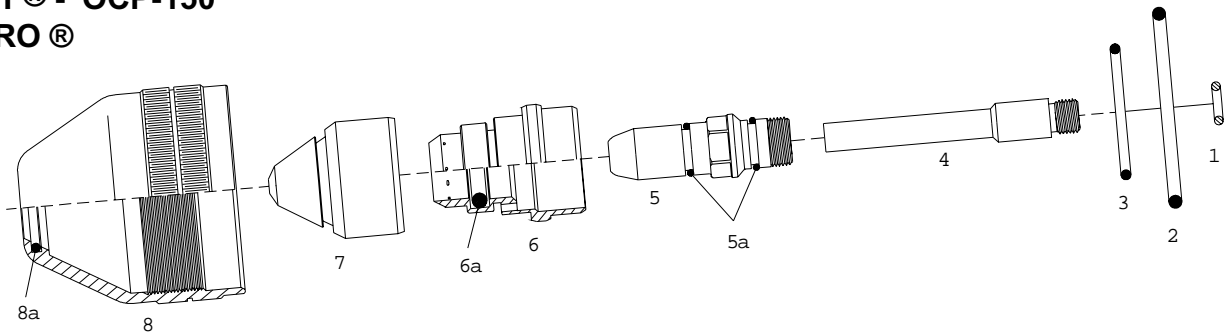


**Ersatzteile passend für:
Replacement parts suitable for:**

PRL_04/01

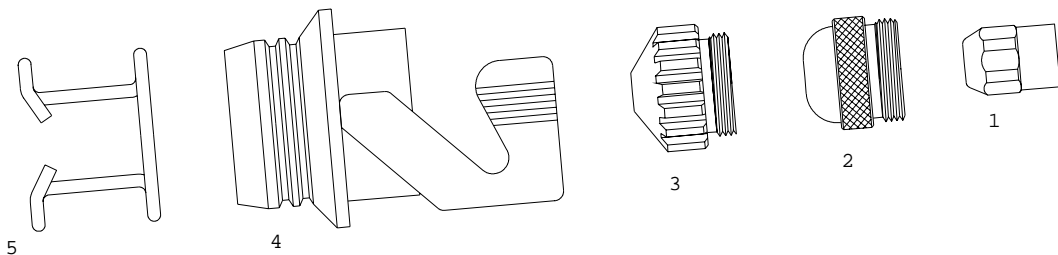
Seite / Page
17

**S F® - OCP-150
FRO®**



Pos.	Part No.	Ref. No.	Bezeichnung	Description
1	365P528178	0408-1238	O-Ring 5.28x1.78	O-Ring 5.28x1.78
2	365P361262	0408-1282	O-Ring 36.17x2.62	O-Ring 36.17x2.62
3	365P240020	0408-1284	O-Ring 24.00x2.00	O-Ring 24.00x2.00
4	441P848200	0409-2154	Luftverteiler	Diffusor
5	441P848201	0409-2184	Elektrode, HD - HF	Electrode, HF - long life
5a	365P080125	0408-1283	O-Ring 8.0x1.25	O-Ring 8.0x1.25
6	441P848202	0409-2170	Luftverteiler 60A (OCPVD6)	Swirl ring 60A (OCPVD6)
6	441P848203	0409-2169	Luftverteiler 120A (OCPVD15)	Swirl ring 120A (OCPVD15)
6a	365P100030	0409-2168	O-Ring 10.0x3.00	O-Ring 10.0x3.00
7	441P848204	0409-2171	Plasmaduese 0.5MM, 15A, OXY	Plasma tip 0.5MM, 15A, OXY
7	441P848205	0409-2173	Plasmaduese 0.7MM, 30A, OXY	Plasma tip 0.7MM, 30A, OXY
7	441P848206	0409-2174	Plasmaduese 0.8MM, 40A, OXY	Plasma tip 0.8MM, 40A, OXY
7	441P848207	0409-2176	Plasmaduese 1.0MM, 60A, OXY	Plasma tip 1.0MM, 60A, OXY
7	441P848208	0409-2183	Plasmaduese 1.3MM, 90A, OXY	Plasma tip 1.3MM, 90A, OXY
7	441P848209	0409-2186	Plasmaduese 1.6MM, 120A, OXY	Plasma tip 1.6MM, 120A, OXY
8	441P848210	0409-2166	Schutzkappe	Nozzle retaining cap
8a	365P150178	0409-2167	O-Ring 15.00x1.78	O-Ring 15.00x1.78

**SAF® CP 40 R - CP 100 R
FRO®**



Pos.	Part No.	Ref. No.	Bezeichnung	Description
1	443P848000	0408-2051	Elektrode, ZR	Electrode, ZR
2	443P848011	0408-2404	Elektrode, HF	Electrode, HF
3	443P848010	0408-2052	Plasmaduese 1.0mm (20/40A)	Plasma tip 1.0mm (20/40A)
4	443P848001	0408-2261	Plasmaduese 1.0mm	Plasma tip 1.0mm
5	443P848002	0408-2262	Plasmaduese 1.2mm	Plasma tip 1.2mm
5a	443P848003	0408-2385	Plasmaduese 1.6mm	Plasma tip 1.6mm
6	441P848004	0408-2267	TN Schutzkappe fuer Abstandsfeder	TN Protection nozzle guide
6	441P848005	0408-2405	TI Keramik Schutzkappe	TI Ceramic assembly with bosses
6a	441P848006	0408-2268	TI Schutzkappe mit Abstandsfuessen	TI Ceramic guide
7	443P020047	0408-2053	Abstandsfeder	Spacer spring

TBi is in no way affiliated with SAF® - FRO®. The parts advertised for sale are not genuine SAF® - FRO® parts, but are parts made for and by TBi. Reference to SAF® - FRO® machine, torches and numbers are for your convenience only. We reserve the right to substitute genuine SAF® - FRO® parts in place of TBi parts.